



Sovitron Interior Pvt.Ltd.



**Model Name**

GOTHIC-1140S/DL-OSL-1140SI-3

**Description**

Spike Flood light

**Technical description**

**Image**

**Dimension**

Dia=108mm  
W=160mm  
H=206mm

**Frame**

Aluminium Die-cast

**Color Tempertaure**

5700K

**Power**

30W

**Total Luminous Flux**

2700 lm

**Efficacy**

90 lm/W

**IP rating**

66

**Beam angle**

2.6, 3.5, 12, 20, 30,  
60, 10x70, 5x2 Degreee

**Color Rendering**

≥80

**Mounting**

Spike Mounted

**Optics**

Lens & Clear Glass

**Dimming**

NON-Dimmable

**Operating Voltage**

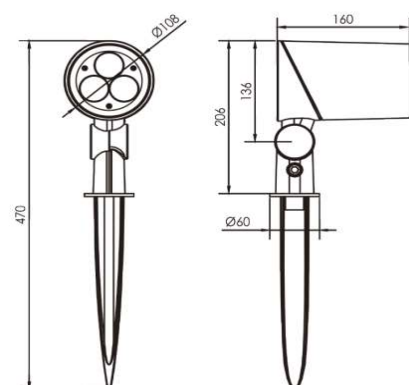
220-240 VAC

**Standard Lifetime**

L70 minimum at 50,000  
burning hours



**Dimension diagram**



**Remarks:-**

Address: Plot #7 Saroorpur-Nangla Industrial Area,Ballabgarh-Sohna Road,Faridabad-121005

Email: [info@sovitron.com](mailto:info@sovitron.com)